

VFD CV8000

Технические характеристики

По вопросам продаж и поддержки обращайтесь:

Алматы (7273)495-231
Ангарск (3955)60-70-56
Архангельск (8182)63-90-72
Астрахань (8512)99-46-04
Барнаул (3852)73-04-60
Белгород (4722)40-23-64
Благовещенск (4162)22-76-07
Брянск (4832)59-03-52
Владивосток (423)249-28-31
Владикавказ (8672)28-90-48
Владимир (4922)49-43-18
Волгоград (844)278-03-48
Вологда (8172)26-41-59
Воронеж (473)204-51-73
Екатеринбург (343)384-55-89
Иваново (4932)77-34-06
Ижевск (3412)26-03-58
Иркутск (395)279-98-46
Казань (843)206-01-48

Калининград (4012)72-03-81
Калуга (4842)92-23-67
Кемерово (3842)65-04-62
Киров (8332)68-02-04
Коломна (4966)23-41-49
Кострома (4942)77-07-48
Краснодар (861)203-40-90
Красноярск (391)204-63-61
Курск (4712)77-13-04
Липецк (4742)52-20-81
Магнитогорск (3519)55-03-13
Москва (495)268-04-70
Мурманск (8152)59-64-93
Набережные Челны (8552)20-53-41
Нижний Новгород (831)429-08-12
Новокузнецк (3843)20-46-81
Ноябрьск (3496)41-32-12
Новосибирск (383)227-86-73

Омск (3812)21-46-40
Орел (4862)44-53-42
Оренбург (3532)37-68-04
Пенза (8412)22-31-16
Петрозаводск (8142)55-98-37
Псков (8112)59-10-37
Пермь (342)205-81-47
Ростов-на-Дону (863)308-18-15
Рязань (4912)46-61-64
Самара (846)206-03-16
Саранск (8342)22-96-24
Санкт-Петербург (812)309-46-40
Саратов (845)249-38-78
Севастополь (8692)22-31-93
Симферополь (3652)67-13-56
Смоленск (4812)29-41-54
Сочи (862)225-72-31
Ставрополь (8652)20-65-13
Сургут (3462)77-98-35

Сыктывкар (8212)25-95-17
Тамбов (4752)50-40-97
Тверь (4822)63-31-35
Тольятти (8482)63-91-07
Томск (3822)98-41-53
Тула (4872)33-79-87
Тюмень (3452)66-21-18
Ульяновск (8422)24-23-59
Улан-Удэ (3012)59-97-51
Уфа (347)229-48-12
Хабаровск (4212)92-98-04
Чебоксары (8352)28-53-07
Челябинск (351)202-03-61
Череповец (8202)49-02-64
Чита (3022)38-34-83
Якутск (4112)23-90-97
Ярославль (4852)69-52-93

Россия +7(495)268-04-70

Киргизия +996(312)-96-26-47

Казахстан +7(7172)727-132



IP54 VFD IP55 IP65 VFD Dustproof Oil Resistance Corrosion Resistant Inverter 0.75kw 1.5kw 2.2kw AC D

Basic Info.

Model NO.	CV8000 IP65 VFD	Link of Transformation	AC-DC-AC Variable-Frequency Drive
Nature of DC Power	Voltage Variable-Frequency Drive	Function	Simple Type, Elevator Special, Textile Special, Constant Torque Universal Type
Brand	OEM & ODM	Universal Application	VFD IP65 Waterproof AC Motor Drives
Control Type	Close Loop Vector Control, V/F Control,	Certification	CE SGS TUV 3c

	Open Loop		
Braking Unit	Build-in	Power Range	0.75kw~1000kw
AC Drive	VFD	Frequency Inverter	Frequency Drives
Motor Controller	Frequency Converter	Variable Frequency Drive	Solar Inverter
AC Motor Inverter	3 Phase VFD	AC Synchronous Motor	Variable Speed DC Motor Control
AC Variable Speed Motor	Variable Speed Electric Motor Single Phase	Waterproof Inverter	VFD Inverter15kw IP65
VFD 5.5kw IP65	VSD VFD IP65	Electric Motor Acip65 PV Inverter Micro	Dustproof VFD
Transport Package	Wooden Case & Carton Packing	Specification	2~500kg
Trademark	Ausenist	Origin	China
HS Code	8504403090	Production Capacity	100000PCS /Month

Product Description

Waterproof and dustproof inverter

Ausenist Fully Sealed Inverters
 Suitable for all kinds of harsh environments
 Up to 5 times longer life than ordinary inverters

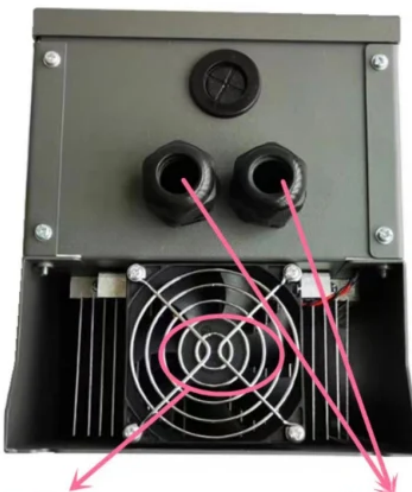
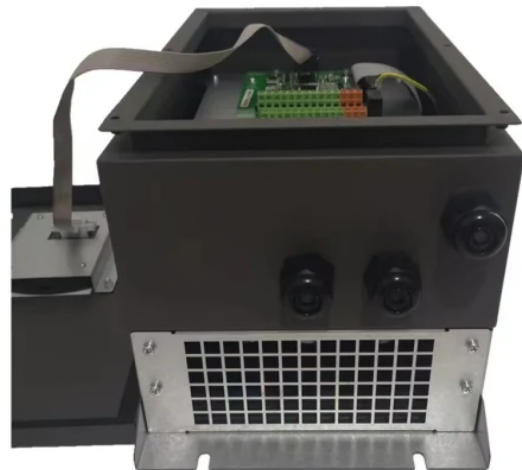
Waterproof
 Dustproof
 Damp-proof
 Anti-graphite
 Anti-grease
 Anti-corrosive gases

The difference between a normal inverter and a fully sealed waterproof inverter in poor environments

Comparative items	Normal inverter	Sealed waterproof inverter
IP Class	Usually IP20	IP65
Working life	Poor environment generally 2-3 months	3-5 years in a poor environment is not a problem
Installation method	Poor environment must be installed in a cabinet	Can be installed in the cabinet or exposed
Working environment	Suitable for cleaner and drier applications	Suitable for poor environments
Replacement frequency	Poor environment replaced more than three times a year	Poor environment replaced once every 3-5 years

- 1. Fully enclosed one-piece moulded housing, no gaps at the corners, can be open air or installed in a cabinet**
- 2. High performance vector software, high low frequency torque**
- 3. Infineon modules and other imported components to ensure product stability**
- 4. independent heat dissipation structure, internal circuit board and external environment isolation**
- 5. Specially for harsh environment places, extend the service life**
- 6. Water-proof, dust-proof and iron-proof, moisture-proof, corrosive gas-proof and oil-proof**
- 7. Imported high-powered waterproof fan, fast heat dissipation and strong durability**
- 8. Control mode switch freely**
- 9. Imported three-proof paint on the circuit board**
- 10. 11 big protection, reduce motor damage**

Industry application: grinding machines, CNC machine tools, chemical plants, printing and dyeing plants, moisture anti -corrosion and anti -corrosion, saline -alkali land, graphite processing, stone processing, food processing, sewage pumps, limestone plants, feed factories and other areas, humidity, corrosion, powder and other areas.



防水风扇

防水接口

Waterproof fan, waterproof interface



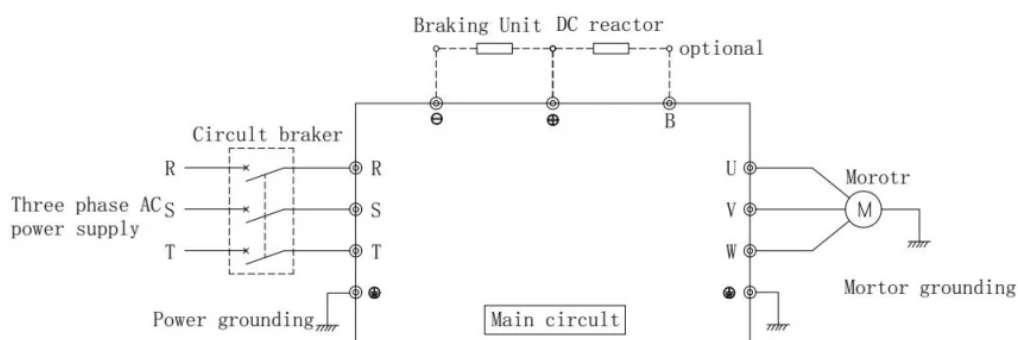


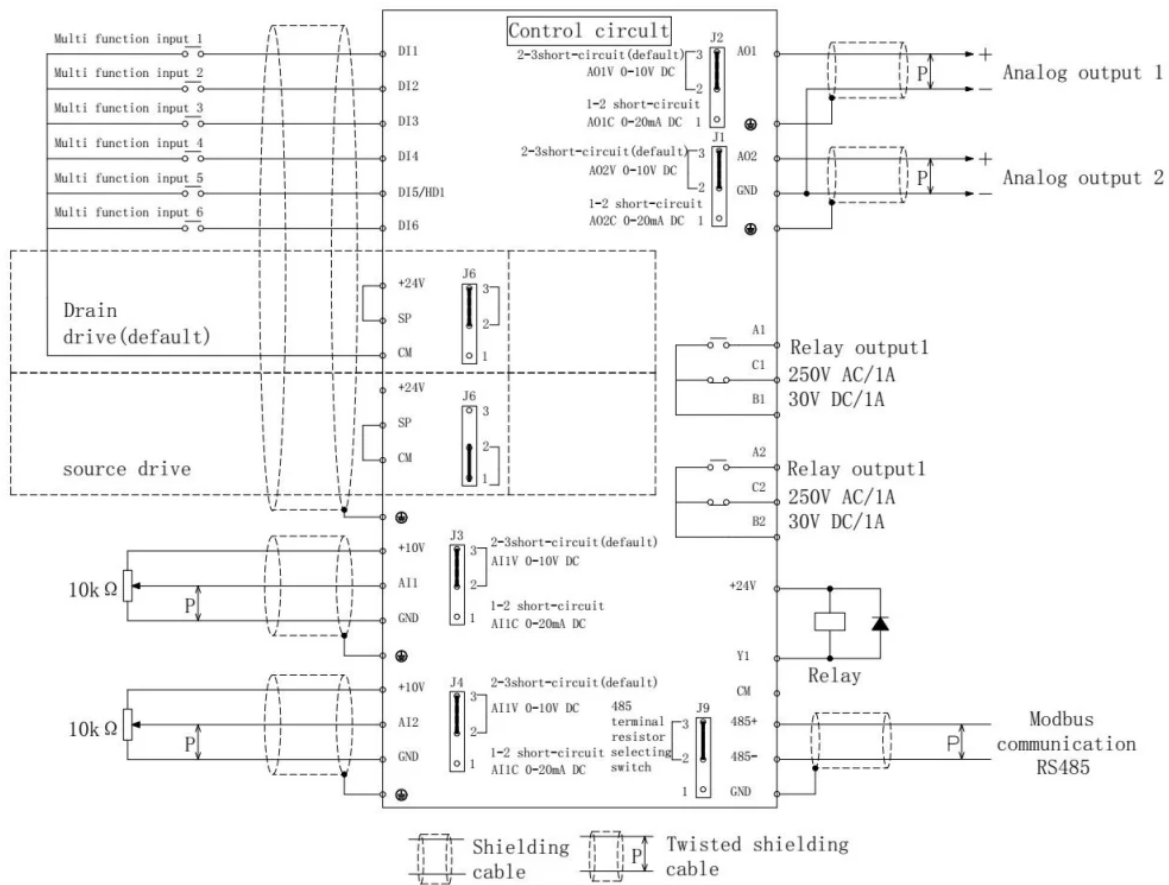
Item	Specifications	
Basic function	Control system	High performance of current vector control technology to realize asynchronous motor
	Drive performance	High efficiency driving for induction motor
	Maximum frequency	0~500Hz
	Carrier frequency	0.8k~8kHz;the carrier frequency will be automatically adjusted according to the load characteristics
	Input frequency resolution	Digital setting: 0.01Hz Analog setting: maximum frequency ×0.025%
	Control mode	Open loop vector control(SVC) Closed loop vector control(FVC) V/F control
	Startuptorque	Type G: 0.5Hz/150%(SVC); 0Hz/180%(FVC)
	Speed range	1: 100(SVC) Speed range
	Speed stabilizing precision	±0.5%(SVC) Speed stabilizing precision

Torque control precision	±5%(FVC)
Over load capability	G type: rated current 150% -1 minute, rated current 180% -3 seconds;
Torque boost	Auto torque boost function; Manual torque boost 0.1%~30.0%
V/Fcurve	Linear V/F,Multi-point V/Fand Square
V/F separation	In 2 ways: separation ,semi separation
Acc. /deccurve	Straight line or S curve acceleration and deceleration mode. Four kinds of acceleration and deceleration time. Acceleration and deceleration time range between 0.0s to 6500.0s
DC brake	DC brake frequency : 0.00Hz to maximum frequency,brake time : 0.0sto36.0s, and brake currentvalue: 0.0% to 100.0%.
Jog control	Jog frequency range: 0.00Hz~50.00Hz. Jog acceleration/decelerationtime 0.0s~6500.0s.
Simple PLC and MS speed running	It canrealize atmaximumof 16 segments speedrunning via the built-in PLC or control terminal.
Built-in PID	It is easy to realize process-controlled close loop control system
Auto voltage regulation (AVR)	Itcankeepconstantoutputvoltageautomaticallyincaseof change ofnetworkvoltage.
Over-voltage/current stall control	Itcanlimittherunning voltage/currentautomaticallyandpreventfrequentover-voltage/current tripping duringthe running process
Quick current limit	Minimizetheover-currentfault,protectnormaloperation of the inverter
Torque limit & control	"Excavators" characteristics,automatically limit torque during operation,prevent frequent over-current trip; Closed loop vector mode can realize the torque control.

Personalized	Instantaneous stop non-stop	When instantaneous power off,voltage reduction is compensated through load feedback energy,which could make inverter keep running in a short period of time.
	Rapid current limit	To avoid inverter frequent over-current fault.
	Virtual IO	5 groups of virtual DI,DO to realize simple logic control
	Timing control	Timing control function: set time range 0 Min~6500.0 Min
	Multiple motor switch	2 groups of motor parameter,which can realize 2-motor switch control
	Multi-threaded bus support	Support 3 kinds of field bus: RS485, Profibus-DP, CAN open
	Motor overheat protection	Select optional TZ5PC1 analog input AI3x can accept the motor temperature sensor input(PT100, PT1000)
	Multi-encoder support	Support difference,open collector, rotary transforme etc.
	Programmable PLC	Select optional user programmable card,which can realize secondary development,programming mode compatible with Drino PLC.
	Excellent backend software	Support inverter parameter operation and virtual oscilloscope function.Inverter internal state graphic monitor can be realized through virtual oscilloscope.
Running	Running command channel	Three types of channels: operation panel reference,control terminal reference and serial communication port reference. These channels can be switched in variousmodes.
	Frequency source	There are totally eleven types of frequency sources, such as digital reference, analog voltage reference, analog current reference, pulse reference, MS speed, PLC, PID and serial port reference.
	Auxiliary frequency source	11 kinds of auxiliary frequency source which can flexible achieve auxiliary frequency tuning, frequency synthesis

	Input terminal	<p>Standard:</p> <p>There are 7 digital input terminals, DI5 can be used as 100kHz high speed input pulse.</p> <p>2 analog input terminals which can be used as 0-10V voltage input or 0~20mA current input.</p> <p>Extended function:</p> <p>3 digital input terminals,</p> <p>1 analog input terminals support 10~10V voltage input & PT100 PT100</p>
Keyboard operation	LED display	Realize parameter setting, status monitoring function
	Keyboard potentiometer	Equipped with keyboard potentiometer or coding potentiometer
	Key lock & function selection	Realize button locking, define operation range for part of buttons to prevent operation fault.
	Protection function	It can implement power-on motor short-circuit detection, input/output phase loss protection, overcurrent protection, overvoltage protection, undervoltage protection, overheating protection and overload protection.
Environment	Using place	Indoor, and be free from direct sunlight, dust, corrosive gas, combustible gas, oil smoke, vapor, drip or salt.
	Altitude	Below 1000m
	Ambient temperature	-10 °C to +40 °C (Derating use when under ambient temperature of 40 °C to 50 °C)
	Humidity	Less than 95%RH, without condensing
	Vibration	Less than 5.9 m/s ² (0.6g)
	Storage temperature	-20°C~+60°C





VFD IP65 Waterproof AC Motor Drives 380V 220V for Universal Application
 IP65 VFD Energy saving waterproof variable 380V three phase ac motor drive vfd
 frequency inverter drive
 Mini VFD VSD Waterproof Frequency Inverter AC Drive 0.75KW 1.5KW 2.2KW 3KW
 3.7KW 4KW 5.5KW 7.5KW 11KW 15KW 18.5KW 3ph 50hz 60hz
 factory direct sales IP66 waterproof dustproof energy-saving vfd 380v 3 phase variable
 frequency drive 5.5kw

Product Parameters

1. Fully enclosed one-piece moulded housing, no gaps at the corners, can be open air or installed in a cabinet
2. High performance vector software, high low frequency torque
3. Infineon modules and other imported components to ensure product stability
4. independent heat dissipation structure, internal circuit board and external environment isolation
5. Specially for harsh environment places, extend the service life
6. Water-proof, dust-proof and iron-proof, moisture-proof, corrosive gas-proof and oil-proof

7. Imported high-powered waterproof fan, fast heat dissipation and strong durability

8. Control mode switch freely

9. Imported three-proof paint on the circuit board

10. 11 big protection, reduce motor damage

After Sales Service

Power range		0.4KW-3.7KW	0.75KW-37KW	Above 37KW
Provision of quality service	Return period	one month	one month	nonsupport
	Exchange period	3 month	3 month	nonsupport
	Warranty period	18 month	18 month	18 month

По вопросам продаж и поддержки обращайтесь:

Алматы (7273)495-231
Ангарск (3955)60-70-56
Архангельск (8182)63-90-72
Астрахань (8512)99-46-04
Барнаул (3852)73-04-60
Белгород (4722)40-23-64
Благовещенск (4162)22-76-07
Брянск (4832)59-03-52
Владивосток (423)249-28-31
Владикавказ (8672)28-90-48
Владимир (4922)49-43-18
Волгоград (844)278-03-48
Вологда (8172)26-41-59
Воронеж (473)204-51-73
Екатеринбург (343)384-55-89
Иваново (4932)77-34-06
Ижевск (3412)26-03-58
Иркутск (395)279-98-46
Казань (843)206-01-48
Россия +7(495)268-04-70

Калининград (4012)72-03-81
Калуга (4842)92-23-67
Кемерово (3842)65-04-62
Киров (8332)68-02-04
Коломна (4966)23-41-49
Кострома (4942)77-07-48
Краснодар (861)203-40-90
Красноярск (391)204-63-61
Курск (4712)77-13-04
Липецк (4742)52-20-81
Магнитогорск (3519)55-03-13
Москва (495)268-04-70
Мурманск (8152)59-64-93
Набережные Челны (8552)20-53-41
Нижний Новгород (831)429-08-12
Новокузнецк (3843)20-46-81
Ноябрьск (3496)41-32-12
Новосибирск (383)227-86-73
Киргизия +996(312)-96-26-47

Омск (3812)21-46-40
Орел (4862)44-53-42
Оренбург (3532)37-68-04
Пенза (8412)22-31-16
Петрозаводск (8142)55-98-37
Псков (8112)59-10-37
Пермь (342)205-81-47
Ростов-на-Дону (863)308-18-15
Рязань (4912)46-61-64
Самара (846)206-03-16
Саранск (8342)22-96-24
Санкт-Петербург (812)309-46-40
Саратов (845)249-38-78
Севастополь (8692)22-31-93
Симферополь (3652)67-13-56
Смоленск (4812)29-41-54
Сочи (862)225-72-31
Ставрополь (8652)20-65-13
Сургут (3462)77-98-35
Казахстан +7(7172)727-132

Сыктывкар (8212)25-95-17
Тамбов (4752)50-40-97
Тверь (4822)63-31-35
Тольятти (8482)63-91-07
Томск (3822)98-41-53
Тула (4872)33-79-87
Тюмень (3452)66-21-18
Ульяновск (8422)24-23-59
Улан-Удэ (3012)59-97-51
Уфа (347)229-48-12
Хабаровск (4212)92-98-04
Чебоксары (8352)28-53-07
Челябинск (351)202-03-61
Череповец (8202)49-02-64
Чита (3022)38-34-83
Якутск (4112)23-90-97
Ярославль (4852)69-52-93