

# VFD Y620

## Технические характеристики

### По вопросам продаж и поддержки обращайтесь:

Алматы (7273)495-231  
Ангарск (3955)60-70-56  
Архангельск (8182)63-90-72  
Астрахань (8512)99-46-04  
Барнаул (3852)73-04-60  
Белгород (4722)40-23-64  
Благовещенск (4162)22-76-07  
Брянск (4832)59-03-52  
Владивосток (423)249-28-31  
Владикавказ (8672)28-90-48  
Владимир (4922)49-43-18  
Волгоград (844)278-03-48  
Вологда (8172)26-41-59  
Воронеж (473)204-51-73  
Екатеринбург (343)384-55-89  
Иваново (4932)77-34-06  
Ижевск (3412)26-03-58  
Иркутск (395)279-98-46  
Казань (843)206-01-48

Калининград (4012)72-03-81  
Калуга (4842)92-23-67  
Кемерово (3842)65-04-62  
Киров (8332)68-02-04  
Коломна (4966)23-41-49  
Кострома (4942)77-07-48  
Краснодар (861)203-40-90  
Красноярск (391)204-63-61  
Курск (4712)77-13-04  
Липецк (4742)52-20-81  
Магнитогорск (3519)55-03-13  
Москва (495)268-04-70  
Мурманск (8152)59-64-93  
Набережные Челны (8552)20-53-41  
Нижний Новгород (831)429-08-12  
Новокузнецк (3843)20-46-81  
Ноябрьск (3496)41-32-12  
Новосибирск (383)227-86-73

Омск (3812)21-46-40  
Орел (4862)44-53-42  
Оренбург (3532)37-68-04  
Пенза (8412)22-31-16  
Петрозаводск (8142)55-98-37  
Псков (8112)59-10-37  
Пермь (342)205-81-47  
Ростов-на-Дону (863)308-18-15  
Рязань (4912)46-61-64  
Самара (846)206-03-16  
Саранск (8342)22-96-24  
Санкт-Петербург (812)309-46-40  
Саратов (845)249-38-78  
Севастополь (8692)22-31-93  
Симферополь (3652)67-13-56  
Смоленск (4812)29-41-54  
Сочи (862)225-72-31  
Ставрополь (8652)20-65-13  
Сургут (3462)77-98-35

Сыктывкар (8212)25-95-17  
Тамбов (4752)50-40-97  
Тверь (4822)63-31-35  
Тольятти (8482)63-91-07  
Томск (3822)98-41-53  
Тула (4872)33-79-87  
Тюмень (3452)66-21-18  
Ульяновск (8422)24-23-59  
Улан-Удэ (3012)59-97-51  
Уфа (347)229-48-12  
Хабаровск (4212)92-98-04  
Чебоксары (8352)28-53-07  
Челябинск (351)202-03-61  
Череповец (8202)49-02-64  
Чита (3022)38-34-83  
Якутск (4112)23-90-97  
Ярославль (4852)69-52-93

Россия +7(495)268-04-70

Киргизия +996(312)-96-26-47

Казахстан +7(7172)727-132

ain@nt-rt.ru || <https://ausenist.nt-rt.ru/>



# IP54 For Pump Mini VFD VSD Waterproof Frequency Inverter AC Drive

Product Description

**Ausenist** high performance IP54 smart Y620 water pump drive. Y620 drive is a single phase and three phase variable frequency drive that is designed specially to manage water pump's performance to match a wide range of water supply system conditions and requirements.

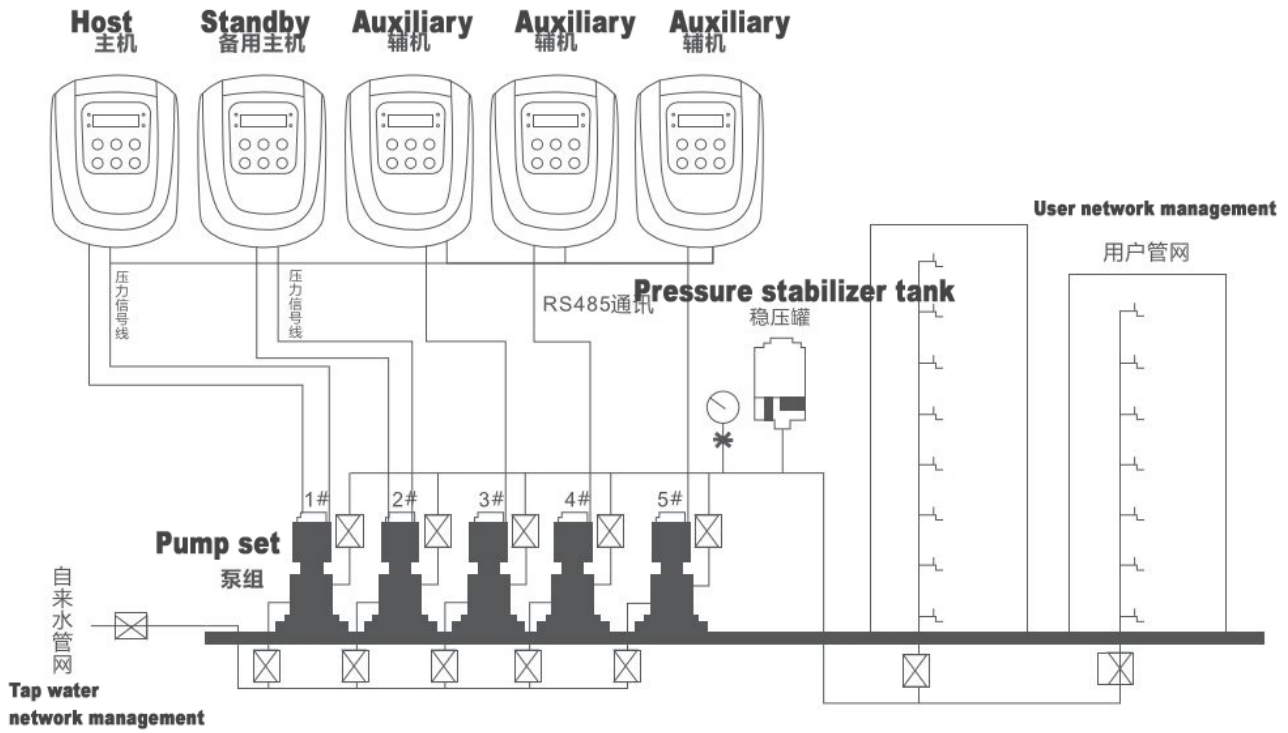
Y620 drive allows your pump to work more efficiently,safely and smartly, reduce a large amount of energy consumption and prolong the lifetime of your pumps.

Y620 drive is made of high quality components and materials and adopts the latest microprocessor technology



### Product features:

- 1,Pump motor protection for phase loss, overload, overvoltage, undervoltage, etc.
- 2,Double main pumps online, backpack installation
- 3,Automatic restart for incoming calls and water
- 4,Intelligent anti-freeze and anti-rust protection
- 5,Water shortage, burst pipe automatic shutdown
- 6,Compatible with permanent magnet synchronous and asynchronous, one machine with two uses (the first in the industry)



The host detects the pressure of the pipe network and sends it to the auxiliary machine, while automatically controlling the auxiliary machine operation stop and PID status according to the pressure condition.

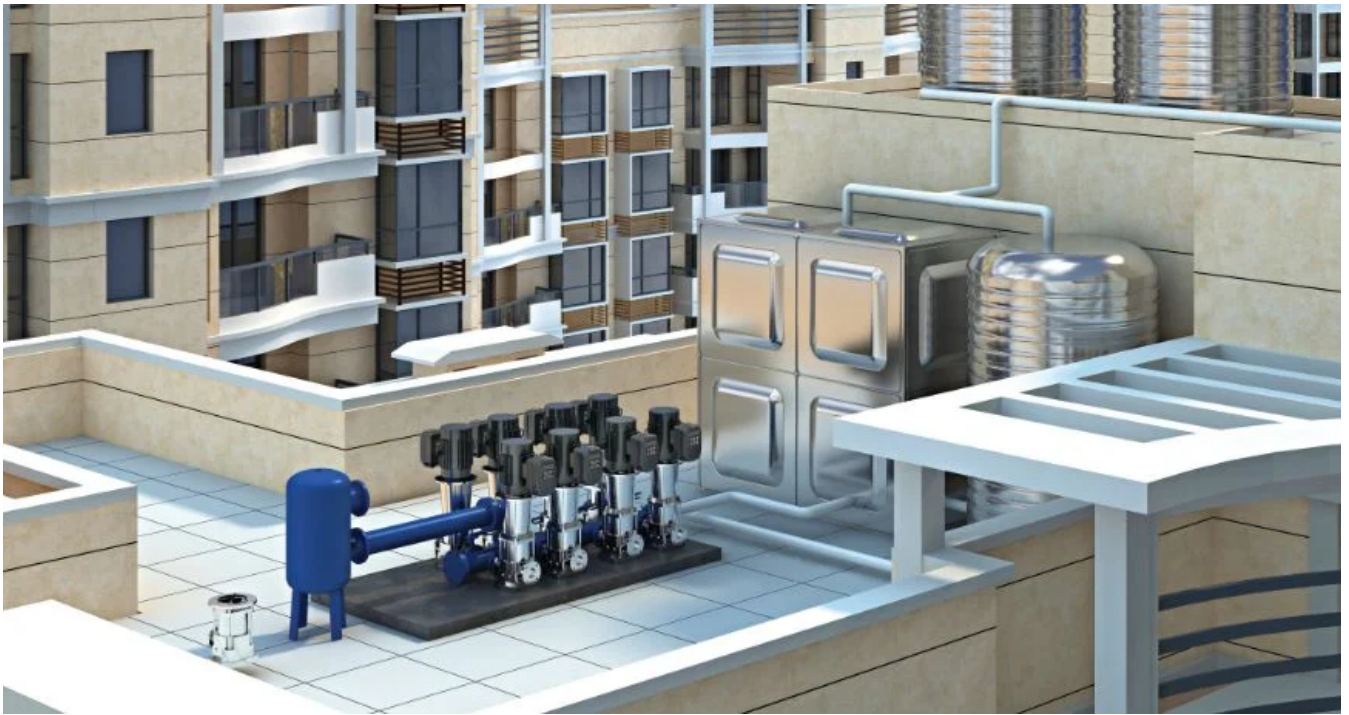
The host machine detects the status of the auxiliary machine in real time and when the host machine fails, the standby host machine automatically becomes the host machine and when the auxiliary machine fails, it automatically skips the auxiliary machine and starts the next auxiliary machine. Ensure that the pump set can achieve automatic switching of the main and auxiliary.

The main and auxiliary engines can be run alternately at regular intervals and in sequence to achieve even use of the pumps and extend their life.

Detailed Photos



**Industry leading dual main pump main auxiliary multi-pump system**



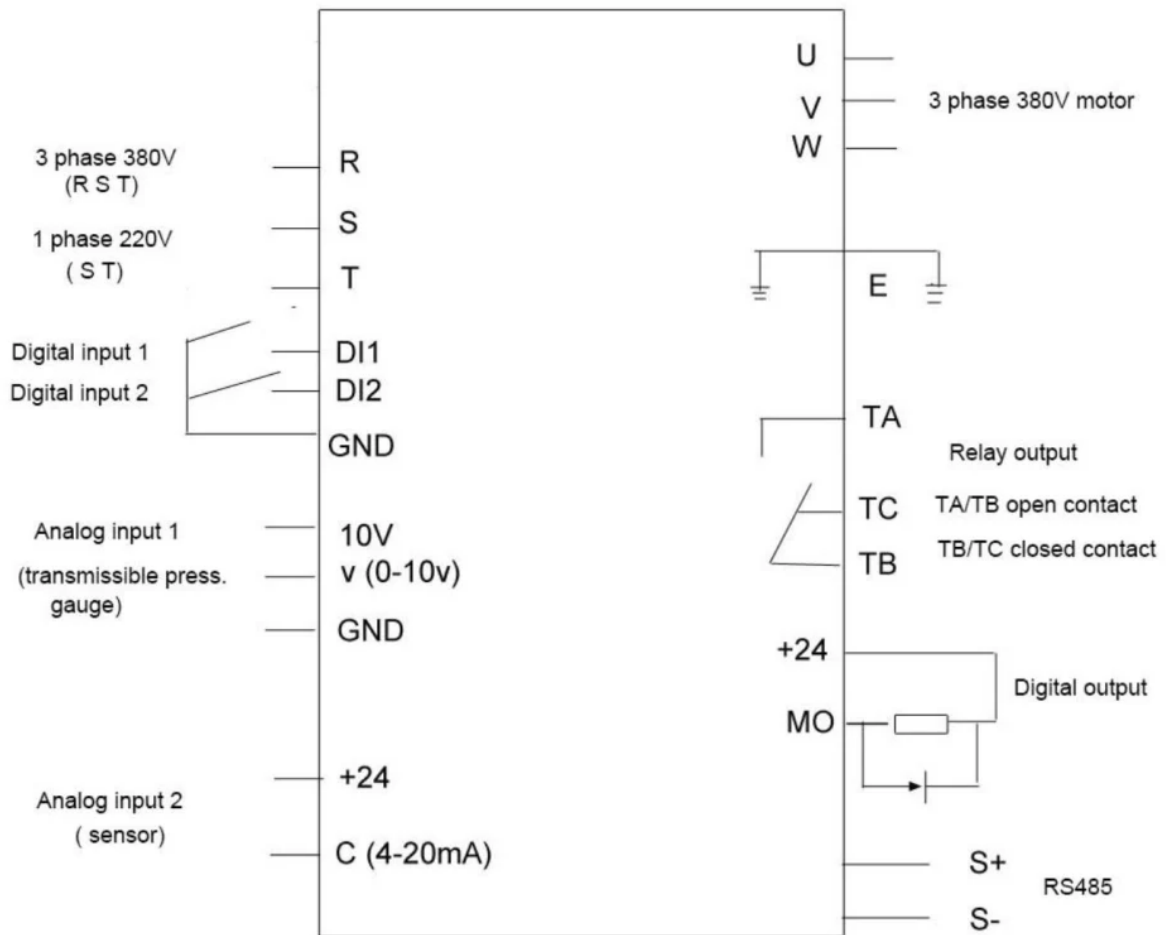
## Product Parameters

	Control Mode	V/F control
	Starting Torque	0.5Hz±100%
	Speed Adjustable Range	1:100
Controlling	Speed-holding precision	±1.0%
Characteristic	Overload Capability	150% rated current for 60s;180% rated current for 1s
	Acceleration/deceleration Time	0.1-3600s
	Start Frequency	0.01-10.00Hz
Input&Output Parameters	Input Voltage	220VAC±15%,380V±15%
	Input Frequency Range	50/60Hz,fluctuation±5%
	Output Voltage	0-rated input voltage
	Output Frequency	0-200Hz
Peripheral Interface	Programmable Digital Input	2 way of digital terminal input

		V: 0-5V
Basic Functions	Programmable Analog Input	V (remote pressure gauge):0-10V C(pressure transducer): 4-20mA
	Replay Output	1 way output,programmable
	Open Collection Output	1 way output,pragammable
	Command Running Channel	Three kinds of channels: 1.Operational panel 2.Control terminal,3.Serial communication port,choose 1 and 2 for master drive and 3 for auxiliaries
	Built-in PID	Advanced PID arithmetic to realize closed loop control system
	Stall Speed Control	Automatically limit current and voltage at running period to prevent tripping due to frequent overcurrent or overvoltage
	Master and Auxiliaries connection	Extensible RS485 design,one drive in the system can be master and controls the other auxiliary drives (4 at most) to work by communication mode, Master drive sends PID feedback information to the auxiliary drives and monitors status of auxiliaries inreal time.Any failure of the auxiliary drives does not affect the others.
	Water Shortage Protection	If the drive detects the pipe pressure is lower than the water shortage pressure set value,the system stops working automatically.After set period time,it restarts automatically for specified times.If pressure restores to normal,system works normally,otherwise,system stops automatically in case of idle running of pump and prolongs pump lifetime to the maximum extent.
	High Pressure Alarm	When pressure exceeds set pressure,it stops running automatically to avoid damage on pipe network due to high pressure.
	Automatic Energy-saving Running	Automatically lower output voltage under light loading to save energy
Password Setting	4-bit password can be set with non-zero numbers,Exit password setting interface and the password will be valide in 1 minute.	
Parameters Locking	Define whether the parameter is locked in running or stopped status in case of misoperation.	

	Installation	Installation should be executed under the conditions of no direct sunlight,dust,corrosive gas,inflammable gas,oil mist,steam and water drop.
Use	Altitude	Lower than 1000m,service in derated capacity above 1000m.Derate 1% capacity every 100m increase in temperature.
Condition	Environment	-10°C-+40°C,service in derated capacity for 40°C-50°C.Derate 4% capacity every 1°C increase in height.
	Temperature	
	Humidity	≤95%RH,no water condensation.
	Vibration	<5.9m / S2(0.6G)

## Wiring diagram of power board and control board





**По вопросам продаж и поддержки обращайтесь:**

Алматы (7273)495-231  
Ангарск (3955)60-70-56  
Архангельск (8182)63-90-72  
Астрахань (8512)99-46-04  
Барнаул (3852)73-04-60  
Белгород (4722)40-23-64  
Благовещенск (4162)22-76-07  
Брянск (4832)59-03-52  
Владивосток (423)249-28-31  
Владикавказ (8672)28-90-48  
Владимир (4922)49-43-18  
Волгоград (844)278-03-48  
Вологда (8172)26-41-59  
Воронеж (473)204-51-73  
Екатеринбург (343)384-55-89  
Иваново (4932)77-34-06  
Ижевск (3412)26-03-58  
Иркутск (395)279-98-46  
Казань (843)206-01-48  
Россия +7(495)268-04-70

Калининград (4012)72-03-81  
Калуга (4842)92-23-67  
Кемерово (3842)65-04-62  
Киров (8332)68-02-04  
Коломна (4966)23-41-49  
Кострома (4942)77-07-48  
Краснодар (861)203-40-90  
Красноярск (391)204-63-61  
Курск (4712)77-13-04  
Курган (3522)50-90-47  
Липецк (4742)52-20-81  
Магнитогорск (3519)55-03-13  
Москва (495)268-04-70  
Мурманск (8152)59-64-93  
Набережные Челны (8552)20-53-41  
Нижний Новгород (831)429-08-12  
Новокузнецк (3843)20-46-81  
Ноябрьск (3496)41-32-12  
Новосибирск (383)227-86-73  
Киргизия +996(312)-96-26-47

Омск (3812)21-46-40  
Орел (4862)44-53-42  
Оренбург (3532)37-68-04  
Пенза (8412)22-31-16  
Петрозаводск (8142)55-98-37  
Псков (8112)59-10-37  
Пермь (342)205-81-47  
Ростов-на-Дону (863)308-18-15  
Рязань (4912)46-61-64  
Самара (846)206-03-16  
Саранск (8342)22-96-24  
Санкт-Петербург (812)309-46-40  
Саратов (845)249-38-78  
Севастополь (8692)22-31-93  
Симферополь (3652)67-13-56  
Смоленск (4812)29-41-54  
Сочи (862)225-72-31  
Ставрополь (8652)20-65-13  
Сургут (3462)77-98-35  
Казахстан +7(7172)727-132

Сыктывкар (8212)25-95-17  
Тамбов (4752)50-40-97  
Тверь (4822)63-31-35  
Тольятти (8482)63-91-07  
Томск (3822)98-41-53  
Тула (4872)33-79-87  
Тюмень (3452)66-21-18  
Ульяновск (8422)24-23-59  
Улан-Удэ (3012)59-97-51  
Уфа (347)229-48-12  
Хабаровск (4212)92-98-04  
Чебоксары (8352)28-53-07  
Челябинск (351)202-03-61  
Череповец (8202)49-02-64  
Чита (3022)38-34-83  
Якутск (4112)23-90-97  
Ярославль (4852)69-52-93